

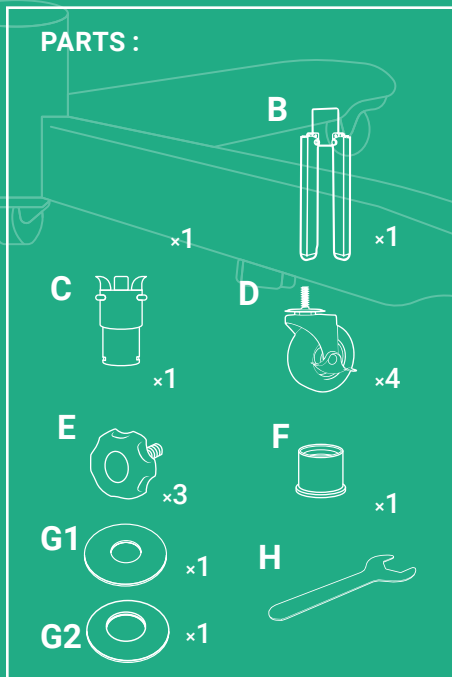


TREEKEEPER™
WWW.TREEKEEPERBAGS.COM

For assistance with assembly or installation, parts and customer service:
www.TreeKeeperBags.com/Help | Support@VillageLighting.com

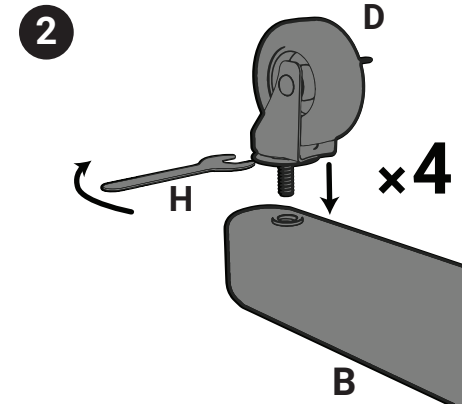
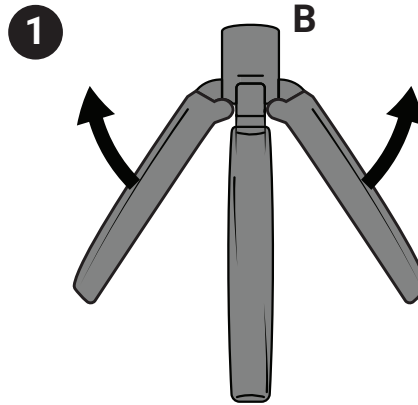
ROLLING TREE STAND

MODEL #: TK-10828 (V2023) | PATENT PENDING



IMPORTANT, RETAIN FOR FUTURE REFERENCE:
READ CAREFULLY

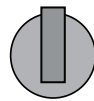
Intended for indoor use



IMPORTANT: ASSEMBLY VARIES BY TREE POLE SHAPE AND SIZE. PLEASE FOLLOW INSTRUCTIONS BELOW

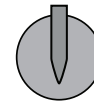
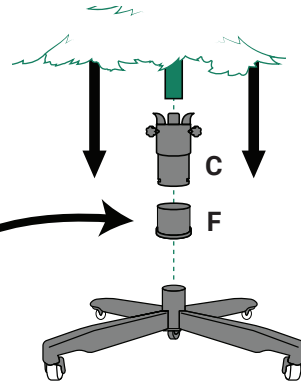
WHICH TYPE AND SIZE OF TREE POLE DO YOU HAVE?

3

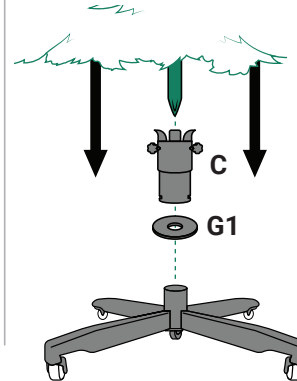


ALL SIZES FLAT BOTTOM, OR LESS THAN 1.25" DIAMETER POLE

INSERT PART "F" INTO THE CENTER OF THE STAND UNDER PART "C"

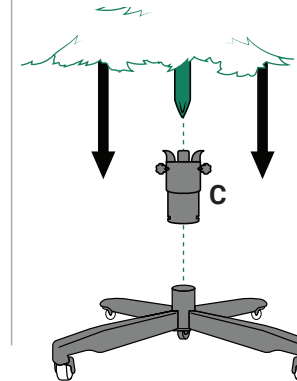


1.25" - 1.5" DIAMETER POINTED POLE (G1)

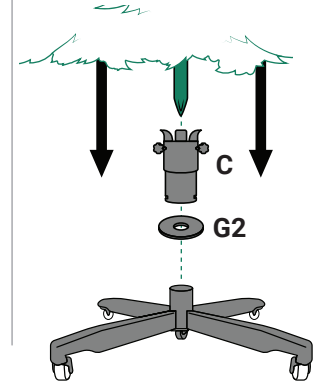


1.5" - 1.75" DIAMETER POINTED POLE

NO ADDITIONAL PARTS NEEDED



2+" DIAMETER POINTED POLE (G2)



IF PARTS F, G1 OR G2 ARE REQUIRED, THEY ARE INSERTED INTO THE CENTER OF THE STAND BEFORE/UNDER PART C

4

