



# THREE TRAY ORNAMENT STORAGE BAG

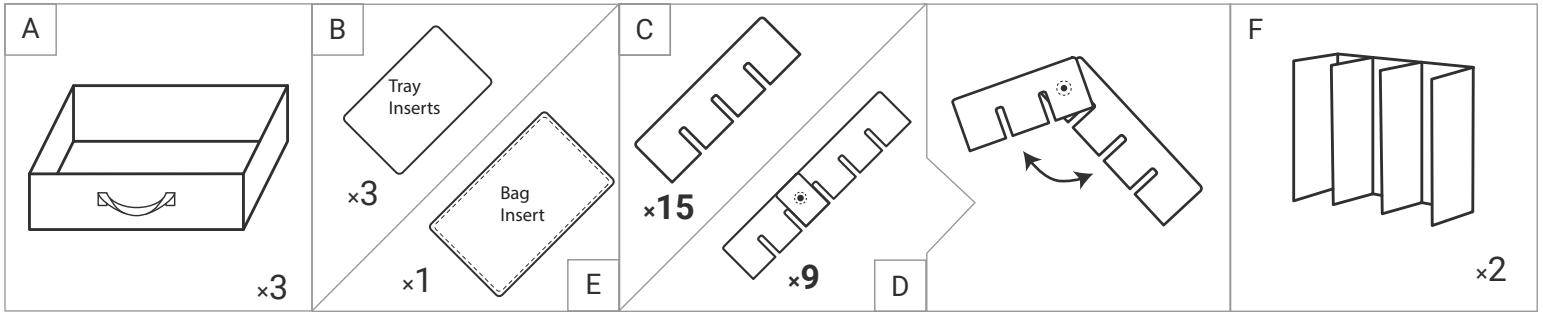
MODEL #: SB-10152

**IMPORTANT, RETAIN FOR FUTURE REFERENCE: READ CAREFULLY**

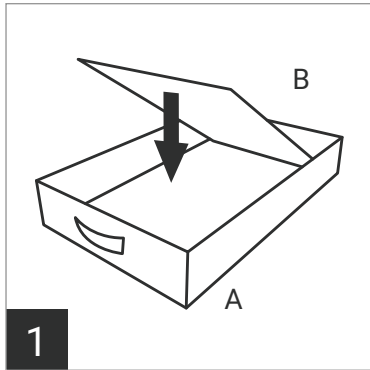
For assistance with assembly, replacement parts or to activate your warranty:  
www.SantasBags.com | Support@VillageLighting.com

2022 All Rights Reserved © Property of Village Lighting Co. | Intended for indoor use

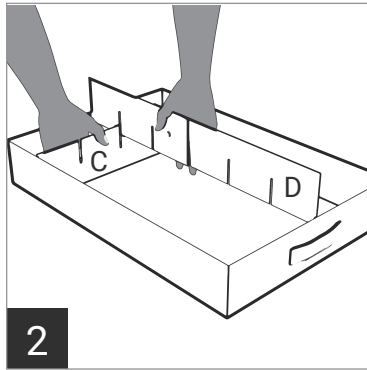
## PLEASE LAY OUT ALL PARTS AND READ INSTRUCTIONS PRIOR TO ASSEMBLY



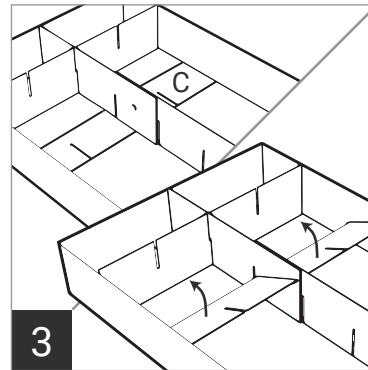
## ASSEMBLY INSTRUCTIONS



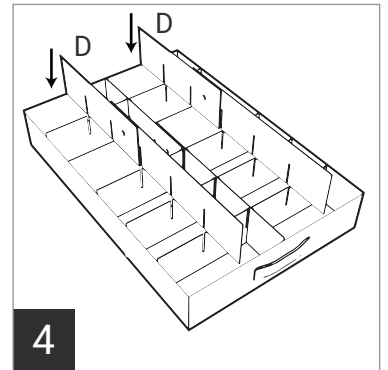
Insert the three bases (Part B) into each of three two trays (Part A).



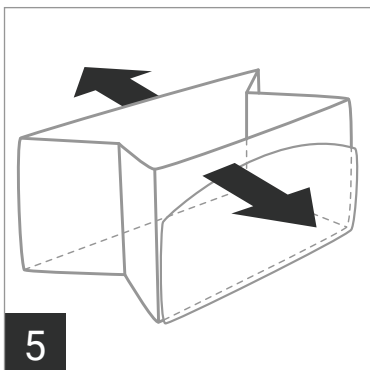
Set up the first Part C and D in the tray as shown.



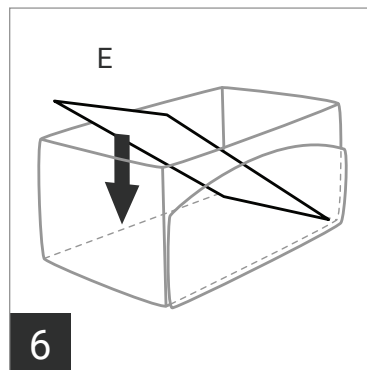
Slide another Part C under Part D, then tilt it up into position. You will have to slightly lift the long divider (D) to position the short divider (C) completely into place. Repeat this process for the remaining short dividers.



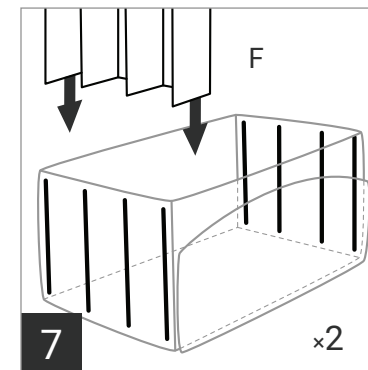
Insert the remaining Long Dividers. Repeat this for all remaining dividers for each tray.



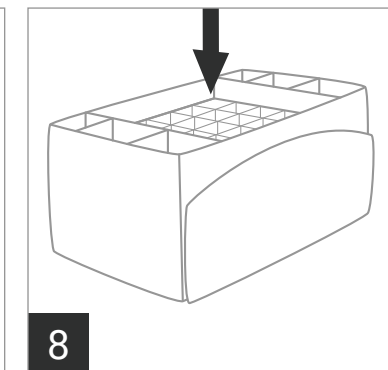
Unfold the main outer bag.



Insert the large base board (Part E) into the bottom of the main outer bag.



Slide the long compartment separators (Part D) into each side of the main outer bag.



Place the three trays into the main outer bag.