



V 03279

TWO TRAY ORNAMENT STORAGE BAG

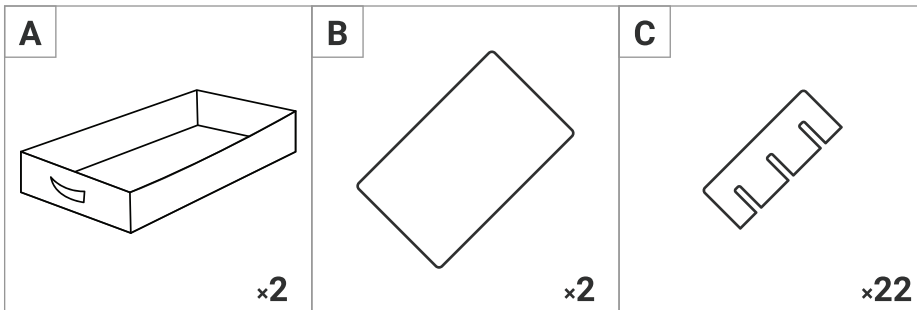
MODEL # SB-10188

IMPORTANT, RETAIN FOR FUTURE REFERENCE:
READ CAREFULLY
Intended for indoor use

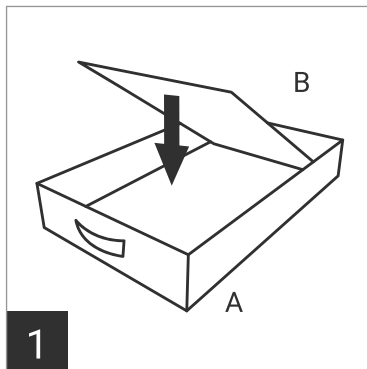
For assistance with assembly, replacement parts or to activate your warranty:

WWW.SANTASBAGS.COM | SUPPORT@SANTASBAGS.COM

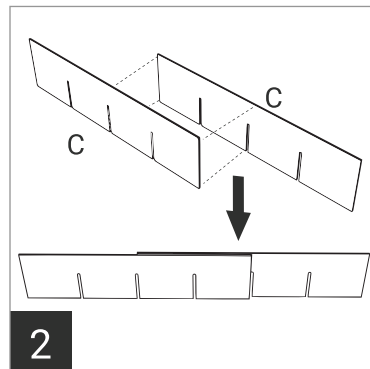
Please lay out all parts and read instructions prior to assembly



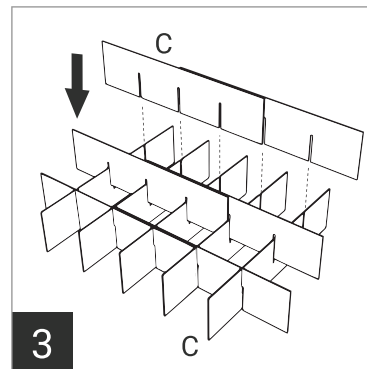
ASSEMBLY INSTRUCTIONS



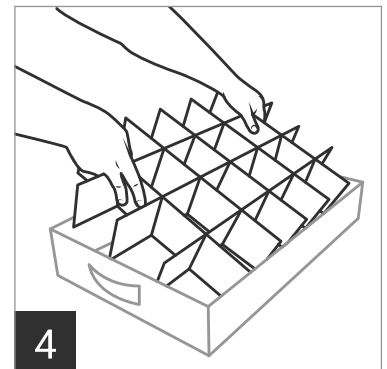
1 Insert the two bases (Part B) into each of the two trays (Part A).



2 Overlap the first notch in two dividers (Part C) to create longer vertical dividers.



3 Assemble all dividers, using the three longer dividers made in step 2 as the long vertical dividers.



4 Place the two completed grids of dividers into each of the two trays.