

THREE TRAY ORNAMENT STORAGE

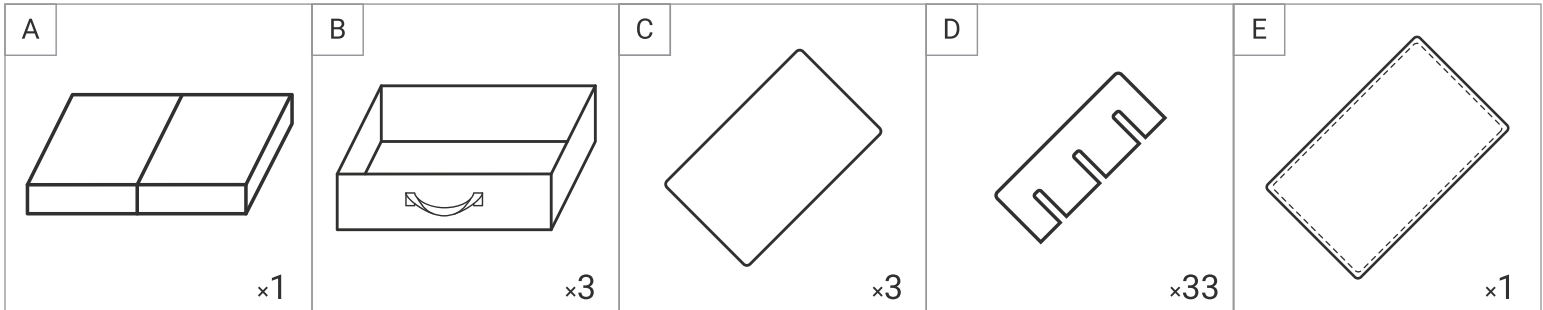
MODEL #: SB-10452

IMPORTANT, RETAIN FOR FUTURE REFERENCE: READ CAREFULLY

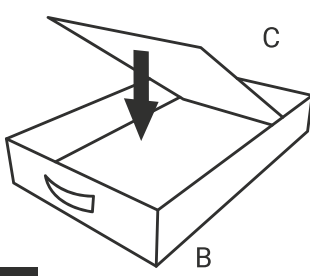
For assistance with assembly, replacement parts or to activate your warranty:
www.SantasBags.com | Support@VillageLighting.com

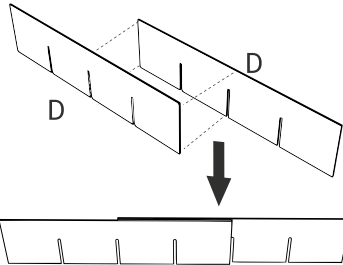
2019 All Rights Reserved © Property of Village Lighting Co. | Intended for indoor use

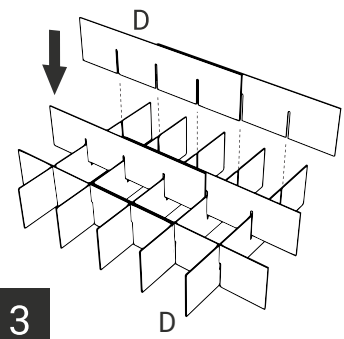
PLEASE LAY OUT ALL PARTS AND READ INSTRUCTIONS PRIOR TO ASSEMBLY

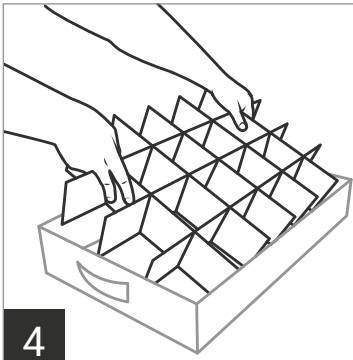


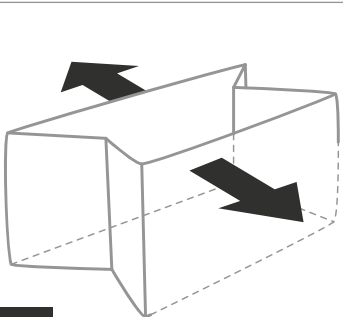
ASSEMBLY INSTRUCTIONS

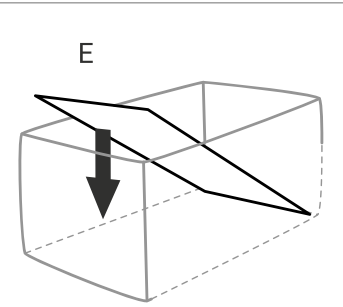
- 

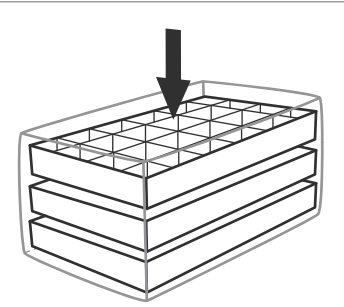
1 Insert the three bases (Part C) into each of the two trays (Part B).
- 

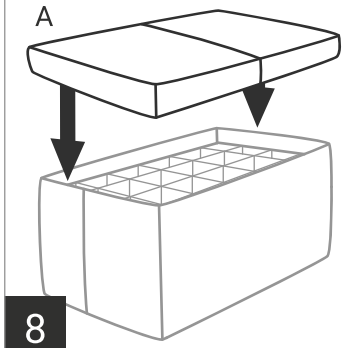
2 Overlap the first notch in two dividers (Part D) to create longer vertical dividers.
- 

3 Assemble all dividers, using the three longer dividers made in step 2 as the long vertical dividers.
- 

4 Place the three completed grids of dividers into each of the three trays.
- 

5 Unfold the main outer bag.
- 

6 Insert the large base board (Part E) into the bottom of the main outer bag.
- 

7 Place the trays stacked inside of the main outer bag.
- 

8 Place the lid on top of the main outer bag.