



# TWO TRAY 4" ORNAMENT STORAGE

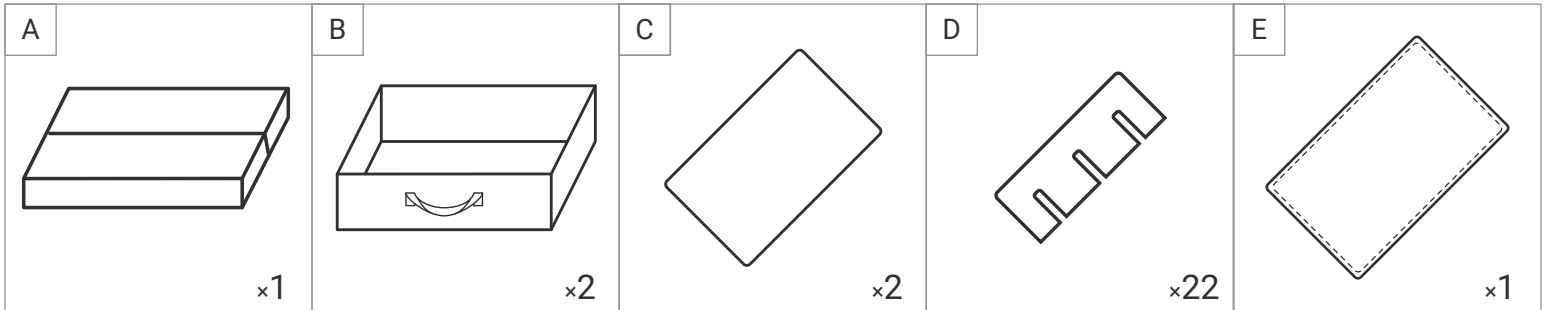
MODEL #: SB-10493

IMPORTANT, RETAIN FOR FUTURE REFERENCE: READ CAREFULLY

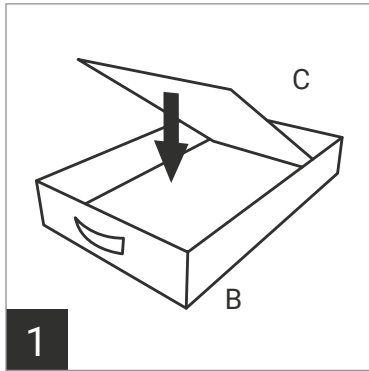
For assistance with assembly, replacement parts or to activate your warranty:  
www.SantasBags.com | Support@VillageLighting.com

2019 All Rights Reserved © Property of Village Lighting Co. | Intended for indoor use

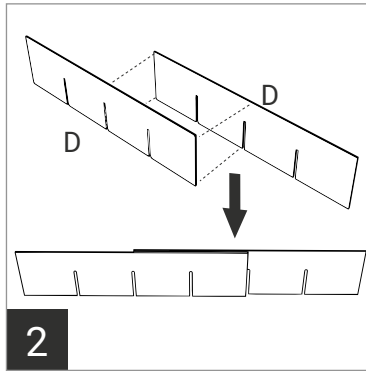
## PLEASE LAY OUT ALL PARTS AND READ INSTRUCTIONS PRIOR TO ASSEMBLY



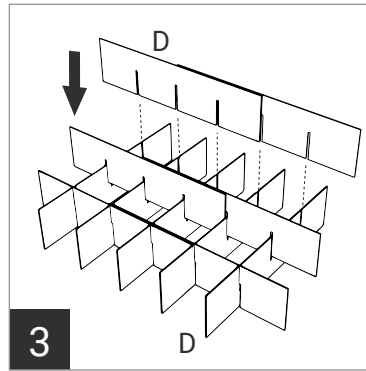
## ASSEMBLY INSTRUCTIONS



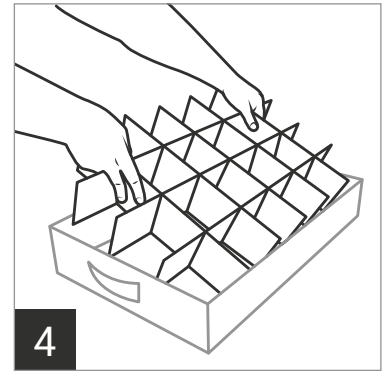
Insert the two bases (Part C) into each of the two trays (Part B).



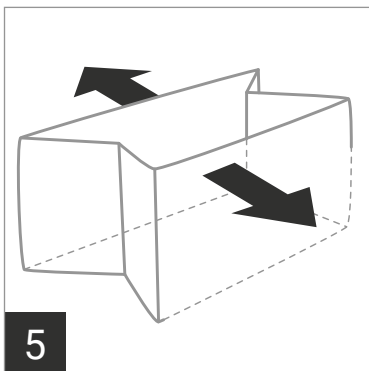
Overlap the first notch in two dividers (Part D) to create longer vertical dividers.



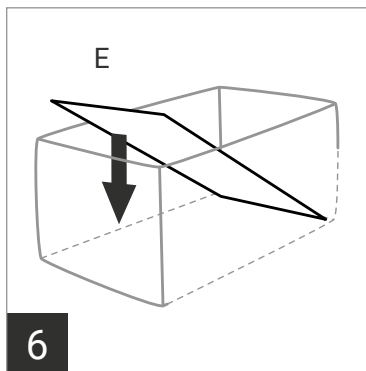
Assemble all dividers, using the three longer dividers made in step 2 as the long vertical dividers.



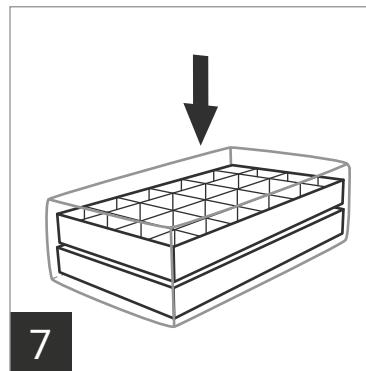
Place the two completed grids of dividers into each of the two trays.



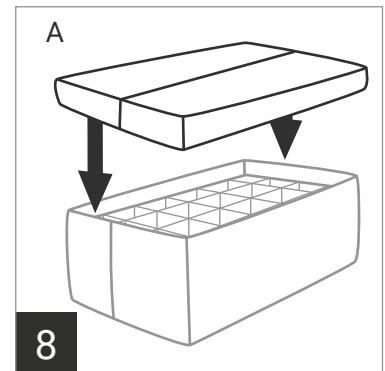
Unfold the main outer bag.



Insert the large base board (Part E) into the bottom of the main outer bag.



Place the trays stacked inside of the main outer bag.



Place the lid on top of the main outer bag.